

WEIGHT=6.80g W=1.0 φ0.7	D/No. C109019-4
	NAME OILING GUIDE
	MAT. YM-99C-HF2

GUIDE=C109019-4

WEIGHT=18.0g W=1.0 φ0.7	D/No. D111055
	NAME OILING GUIDE
	MAT. YM-99C-HF2·SUS

WEIGHT=5.90g W=1.0 φ0.8	D/No. B505009-4
	NAME OILING GUIDE
	MAT. YM-99C-HF2

GUIDE=B505009-4

WEIGHT=17.2g W=1.0 φ0.8	D/No. D112004
	NAME OILING GUIDE
	MAT. YM-99C-HF2·SUS

WEIGHT=6.80g W=1.0 φ1.0	D/No. C109032-4
	NAME OILING GUIDE
	MAT. YM-99C-HF2

GUIDE=C109032-4

WEIGHT=18.0g W=1.0 φ1.0	D/No. D110019
	NAME OILING GUIDE
	MAT. YM-99C-HF2·SUS

WEIGHT=5.50g W=1.3 0.4×1.3	D/No. B702026-4
	NAME OILING GUIDE
	MAT. YM-99C-HF2

GUIDE=B702026-4

WEIGHT=16.8g W=1.3 0.4×1.3	D/No. D204047
	NAME OILING GUIDE
	MAT. YM-99C-HF2·SUS

WEIGHT=5.50g	D/No.	B610004-4
W=2 0.4×2	NAME	OILING GUIDE
	MAT.	YM-99C-HF2

GUIDE=B610004-4

WEIGHT=16.8g	D/No.	D112005
W=2 0.4×2	NAME	OILING GUIDE
	MAT.	YM-99C-HF2·SUS

WEIGHT=10.0g	D/No.	B805014-4
W=1.3 φ1.2	NAME	OILING GUIDE
	MAT.	YM-99C-HF2

WEIGHT=11.0g	D/No.	B307013-4
W=1.0 φ1.2	NAME	OILING GUIDE
	MAT.	YM-99C-HF2

WEIGHT=14.0g	D/No.	B503001-4
W=1.5 0.5×2	NAME	OILING GUIDE
	MAT.	YM-99C-HF2

WEIGHT=15.0g	D/No.	C201010-4
W=1.0 φ1.2	NAME	OILING GUIDE
	MAT.	YM-99C-HF2

WEIGHT=14.0g	D/No.	C606040-4
W=2.0 1×2	NAME	OILING GUIDE
	MAT.	YM-99C-HF2

WEIGHT=13.0g	D/No.	C503023-4
W=4.0 1×4	NAME	OILING GUIDE
	MAT.	YM-99C-HF2

D/No.	C612030-4
NAME	OILING GUIDE
MAT.	YM-99C-HF2

WEIGHT=6.00g
W=1.0 φ0.7

GUIDE=C612030-4

D/No.	C905033
NAME	OILING GUIDE
MAT.	YM-99C-HF2·SUS

WEIGHT=17.0g
W=1.0 φ0.7

D/No.	C406020-4
NAME	OILING GUIDE
MAT.	YM-99C-HF2

WEIGHT=6.00g
W=1.0 φ1.0

GUIDE=C406020-4

D/No.	C607030
NAME	OILING GUIDE
MAT.	YM-99C-HF2·SUS

WEIGHT=17.0g
W=1.0 φ1.0

D/No.	C406040-4
NAME	OILING GUIDE
MAT.	YM-99C-HF2

WEIGHT=6.00g
W=1.0 φ1.2

GUIDE=C406040-4

D/No.	C905034
NAME	OILING GUIDE
MAT.	YM-99C-HF2·SUS

WEIGHT=17.0g
W=1.0 φ1.2

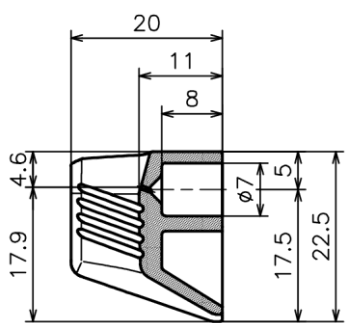
D/No.	D003038-4
NAME	OILING GUIDE
MAT.	YM-99C-HF2

WEIGHT=8.80g
W=1.0~0.4 0.5×0.8

GUIDE=D003038-4

D/No.	D110018
NAME	OILING GUIDE
MAT.	YM-99C-HF2·SUS

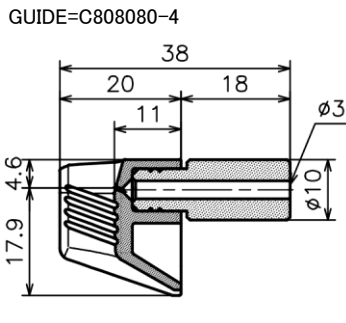
WEIGHT=20.3g
W=1.0~0.4 0.5×0.8



D/No.	C808080-4
NAME	OILING GUIDE
MAT.	YM-99C-HF2

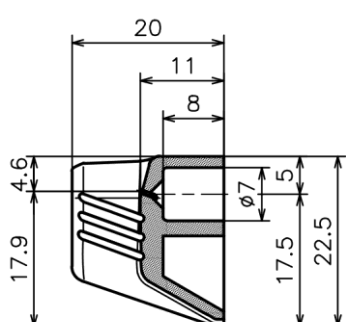
WEIGHT=8.80g
 W=1.3~0.6 0.5×1.0

GUIDE=C808080-4



D/No.	D009002
NAME	OILING GUIDE
MAT.	YM-99C-HF2・SUS

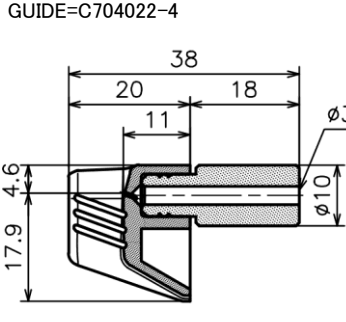
WEIGHT=20.3g
 W=1.3~0.6 0.5×1.0



D/No.	C704022-4
NAME	OILING GUIDE
MAT.	YM-99C-HF2

WEIGHT=8.80g
 W=2~1.3 0.5×2

GUIDE=C704022-4



D/No.	D009001
NAME	OILING GUIDE
MAT.	YM-99C-HF2・SUS

WEIGHT=20.3g
 W=2~1.3 0.5×2